

Installation Instructions

2014 Mazda "3" 2014- Up

PARTS LIST

Hood protector installation tape measure



Hood protector



Pedestals (3)



Clip bodies (4)



Bumpons (2)



Pins (7)



Screws (7)



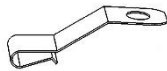
Anti-abrasion pads- Large (4)



Anti-abrasion pads- Small (3)



Metal mounting brackets (3)



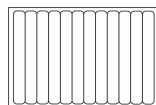
Metal L-brackets (4)



Surface Cleaner (1)



Re-usable tape strips (1)



TOOLS AND SUPPLIES REQUIRED

Long Shank Phillips Screwdriver #2
Tape Measure
Grease Pencil
Masking Tape
Clean cloth or paper towel

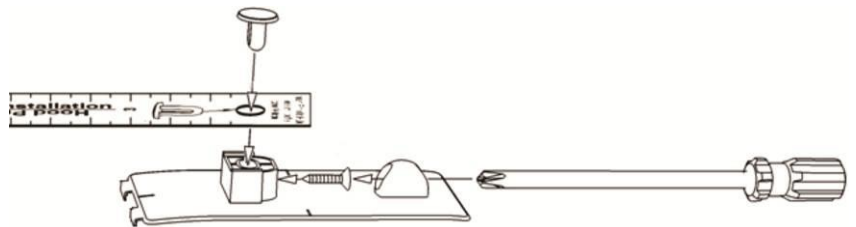
INSTALLATION

- Make sure the vehicle is clean and completely dry before installation.
- This product uses a 3M adhesive that requires installation and curing temperatures of 15°C to 43°C (60°F to 110°F) for at least 1 hour to develop maximum adhesion to the surface. Failure to install this product at the proper temperature or allow adequate curing time before use is not covered under warranty.
- Proper installation of the adhesive pedestal system requires the use of a #2 Phillips screwdriver, preferably with a long shaft. The shaft of the screwdriver needs to fit through the hole in the pedestal. Use of the correct screw driver will facilitate a trouble free installation. Do not attempt to use #1 or smaller Phillips screwdriver or any type of electric screwdriver.



1. Insert a pin through the hole in the hood protector installation tape measure and into one of the large adhesive pedestals.

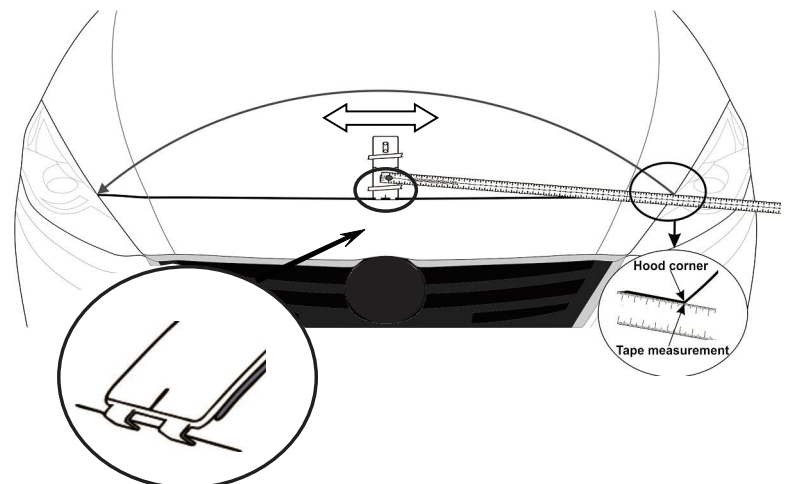
2. Install one of the screws into the pedestal.

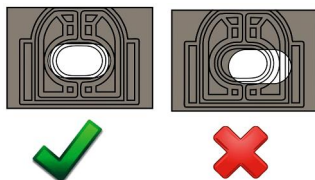
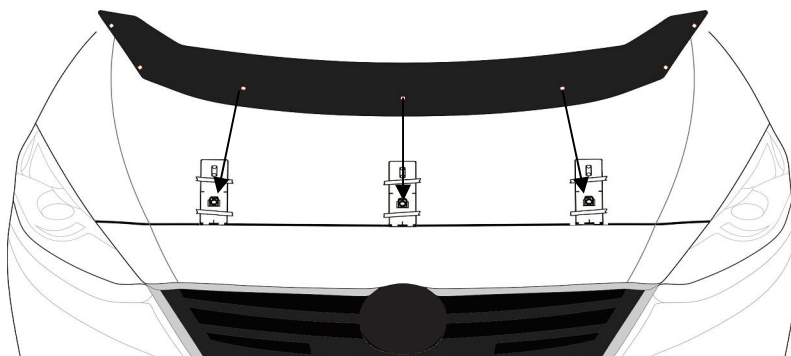
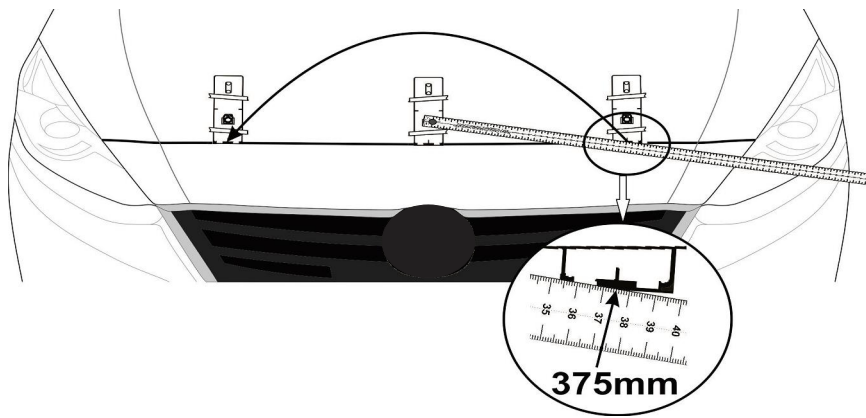
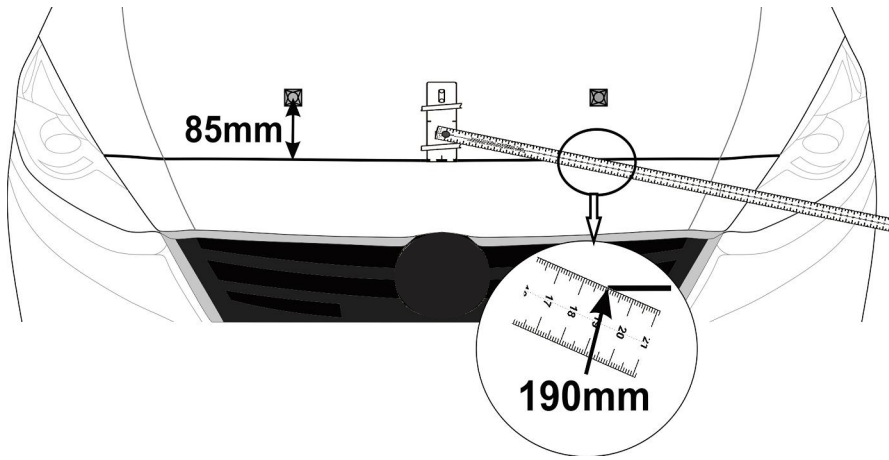


Locate centre pedestal using installation tape.

3. Estimate the centre of the hood and, using masking tape or the re-usable tape strips supplied, tape the pedestal into position.
- Use the installation tape measure to confirm centre by measuring to opposing corners of the hood and adjust pedestal until both measurements are identical.

NOTE: The fingers incorporated on the leading edge of the pedestal will help ensure the correct position relative to the hood edge. When correctly positioned the fingers should contact the leading edge of hood





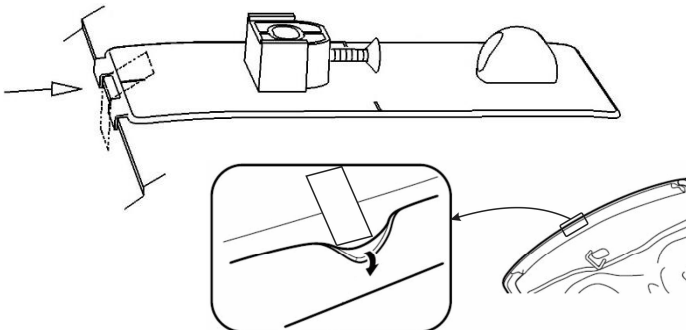
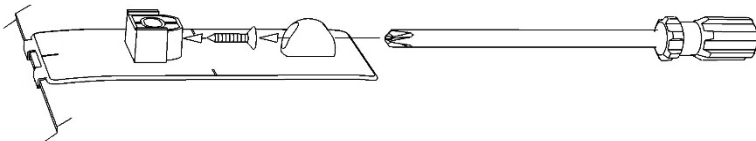
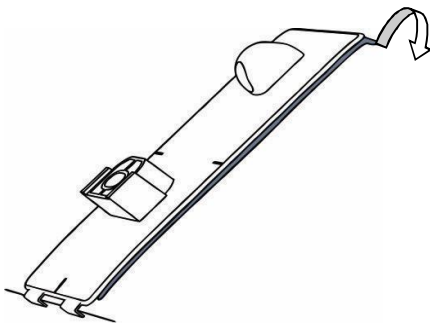
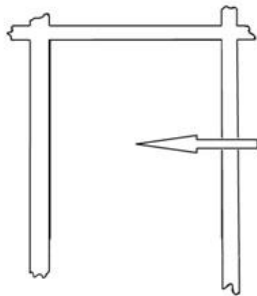
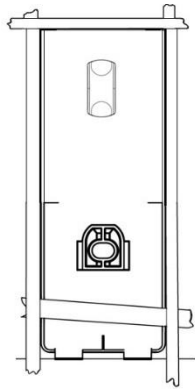
Locate Bumpers using installation tape.

- The positions of the bumpers are shown in the illustration.

Locate other pedestals using installation tape.

- The positions of the pedestals are shown in the illustration. Use the center mark on the leading edge of the pedestals for accurate measuring. The fingers incorporated on the leading edge of the pedestal will help ensure the correct position relative to the hood edge. When correctly positioned the fingers should contact the leading edge of the hood.

- Place the hood protector on the pedestals to confirm proper positioning. Ensure the holes in the protector align with those in the pedestals. If necessary, reposition the pedestals so all attachment positions are correct and the protector is well centered.



7. Remove the hood protector and outline the perimeter of the pedestals with masking tape or the re-usable tape strips supplied.

8. Remove the pedestals and thoroughly clean the outlined area with the alcohol wiping pad and dry with a clean cloth or paper towel. This will insure all wax, finger prints and oils are removed from the hood surface in the bonding area.

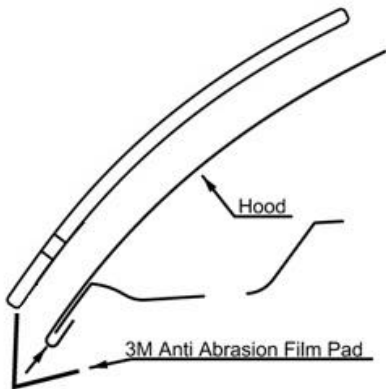
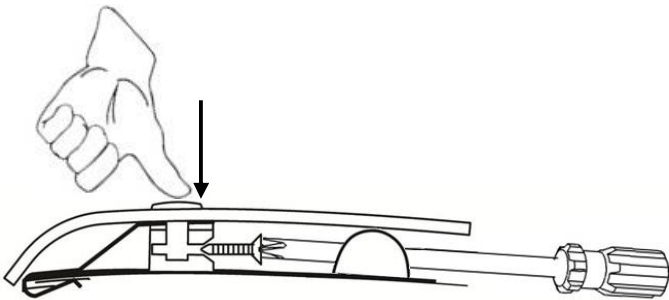
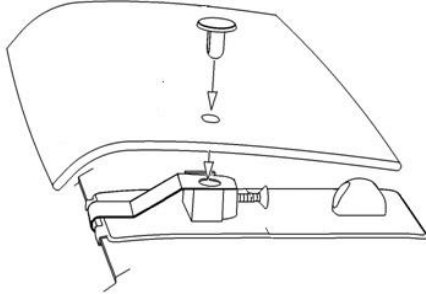
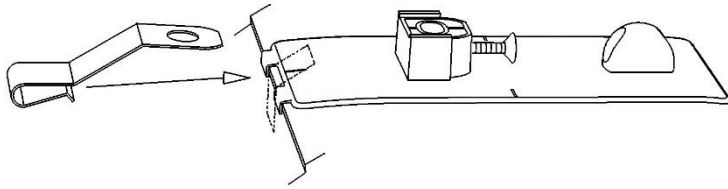
9. Remove the protective backing film from each of the adhesive pedestals and install them on the hood surface.

Tip: Hook the fingers on the pedestal over the hood edge and rotate the unit into position. After installation, remove the masking tape and wet out the pedestal base by applying pressure with your thumb around the surface of the pedestals.

10. Start screw into each pedestal a few turns. The tip of the screw must not protrude into the hole where the attachment pin will install later.


11. Peel and fold the small anti abrasion film pad in half over the hood edge between the fingers on each of the pedestals.

NOTE: Ensure the anti-abrasion pad is installed under the rubber hood gasket on the underside of the hood.



12. Push a metal mounting bracket over the hood edge on top of the anti abrasion pad installed previously. Ensure the bracket is fully engaged over the hood edge and the hole in the bracket is aligned with the hole in each of the pedestals. **NOTE: Ensure the bracket is installed under the rubber hood gasket on the underside of the hood. See illustration in step#11**

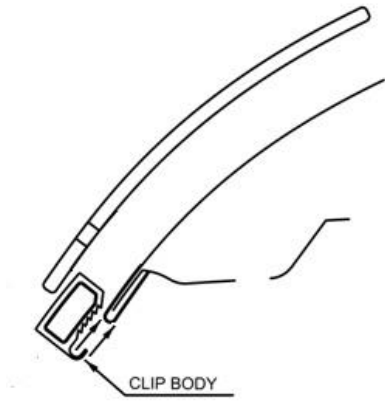
13. Place the protector on the pedestals and drop a pin through the protector and into the pedestal.

14. Maintain slight pressure on the pin, to ensure proper seating of the components, while simultaneously tightening the screw on all of the adhesive pedestals. 

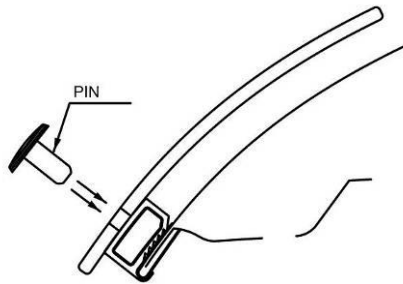
NOTE: Only tighten screw a few turns so that the pin is held in but there is some movement of the protector. This helps with the installation of the components above the headlights.

15. Peel and fold the four (4) large anti-abrasion film pads in half over the hood edge aligned with the outer holes of the protector in the area above the headlights.

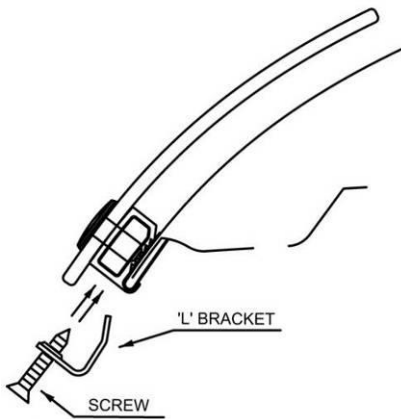
NOTE: Ensure the anti-abrasion pads are installed under the rubber hood gasket on the underside of the hood. See illustration in step#11



16. Place a clip body over each of the anti-abrasion film pads on the edge of the hood.



17. Insert a pin through the protector into each of the clip bodies.

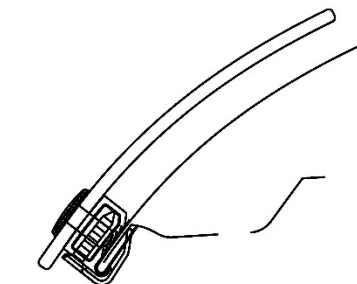


18. Insert a screw through an L bracket and into a clip body.

NOTE: Ensure the bracket is installed under the rubber hood gasket on the underside of the hood. See illustration in step#11

19. Make sure all the components are well seated together and then tighten the screws into the clip bodies.

20. Tighten the three screws into the pedestals from step#13



CARE

Hand clean the protector using a mild soap and water solution or plastic cleaner only. Avoid automatic car-wash equipment where a brush and/or soft cloth come in contact with the hood protector. Touch-less style automatic car-wash equipment is less likely to harm the air protector.

Service

Periodically check to confirm the protector is securely attached to the hood.

WARNINGS

Do not pull/push on the protector when opening/ closing the hood.