

HOOD PROTECTOR

NISSAN PATHFINDER 2008-

HD 13F 08

HARDWARE KIT

- 5 – Large Bumpons
- 4 – 3M Anti-Abrasion Film Pads
- 4 – Clip Bodies
- 4 – 'L' Brackets
- 4 – # 6 x 5/8" Flat Head Screws
- 4 – Pins

TOOLS REQUIRED

- 1 – Phillips Screwdriver # 2
- 1 – Tape Measure



1. Be sure that the hood is clean and dry inside and out. Release the hood, but do not open it.
2. Install the bumpons as shown in *Illustration #1*. **Attention: The bumpons must be installed on the hood, not on the protector!!!** If the bumpons are installed on the protector, they will wear through the paint.
3. Ensure the flange on the hood protector is inserted between the hood and the hood seal. See *illustrations #2*.
4. With protector centered on the hood, peel and fold an anti-abrasion film pad in half over the edge of the hood, underneath each of the two (2) inner holes in the protector. See *Illustrations #2 & #3 – Step #4*.
5. a) Place a clip over each of the anti-abrasion film pads on the edge of the hood as shown below in *Illustration #3 – Step #5a*.
b) Insert a pin through the protector into each of the clips. See *Illustration #3 – Step #5b*.
c) Insert a #6 x 5/8" screw through an 'L'- bracket and into the clip. See *Illustration #3 – Step #5c & 5d*.
d) Make sure all the components are well seated together; the protector is centered on the hood, and then tighten the screws into the clips.
6. **Repeat steps #4 and #5 for the other two (2) holes.**
7. On some vehicles it may be necessary to adjust the hood bumpons and/or latch for proper clearance.
Note: Do not pull on the protector when opening or closing the hood.

CARE INSTRUCTIONS

Clean the protector with a mild soap and water solution or plastic cleaner only. Do not use chemicals or solvents. Periodically check to make sure the bumpons are in place and the protector is secure. Avoid using automatic car washes. Do not pull on protector when opening or closing the hood.

Illustration #1 – Bumpon Placement

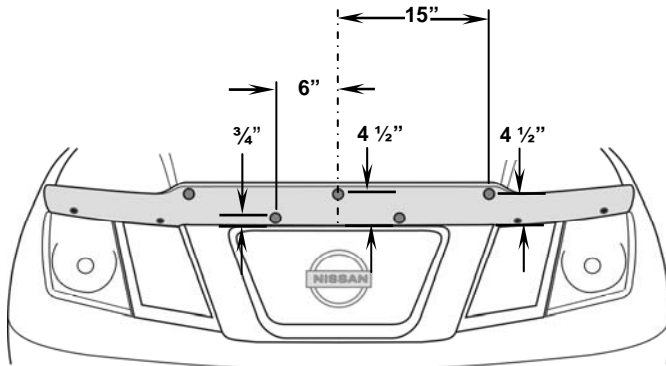


Illustration #2 – Clip Location

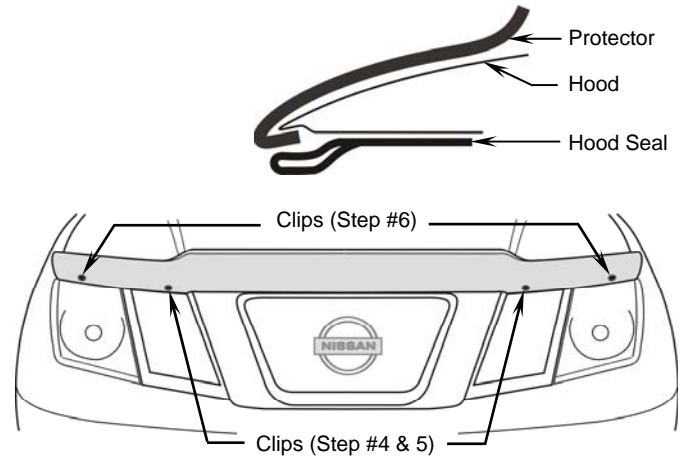
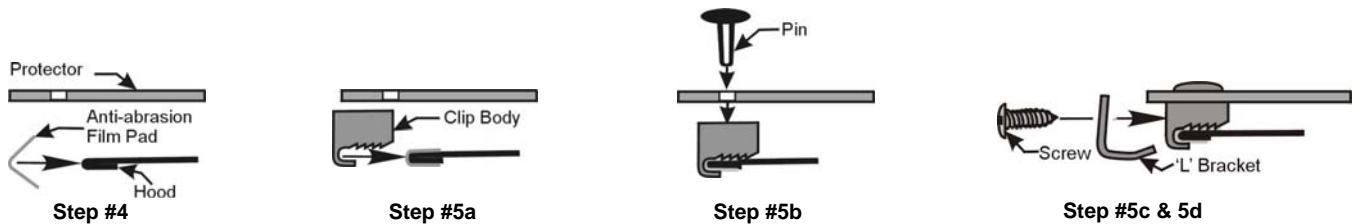


Illustration #3 – Clip Configuration – Patent No. 6,892,427



Thank you for purchasing a hood protector. Retain this sheet for care instructions and kit information.