

## Installation Instructions

## Nissan Titan/Armada (2004 - Up)

### TOOLS REQUIRED

#### HARDWARE KIT

4 – Bumpons	4 – 'L' Brackets
2 – "S" Clips	4 – Pins
4 – Anti-abrasion Pads	4 – Screws
4 – Clip bodies	

1 – Phillips screwdriver # 2
1 – Tape measure

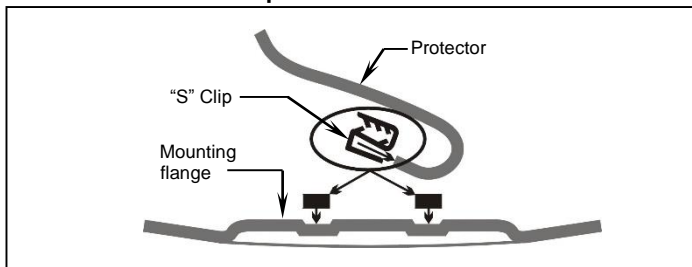


1. Be sure that the hood is clean and dry inside and out. Release the hood, but do not open it.
2. Install the two (2) inner bumpons as shown in *Illustration #3*. **Attention: The bumpons must be installed on the hood, not on the protector!!!** If the bumpons are installed on the protector, they will wear through the paint.
3. Install the "S" clips into the notches on the center-mounting flange of the protector as shown in *Illustration #1*. Be sure to orientate the "S" clips correctly, the smooth inner surface goes on the protector, the other side of the clip with flexible fins goes on the hood.
4. Position the protector (with "S" clips installed) on the hood and push the "S" clips over the leading edge of the hood until they fully are seated on the hood edge. See *Illustration #2*.
5. With protector centered on the hood, peel and fold an anti-abrasion pad in half over the edge of the hood, underneath each of the two (2) lower holes in the protector. See *Illustrations #4 & #5 – Step #5*.
6. a) Place a clip over each of the anti-abrasion pads on the edge of the hood as shown below in *Illustration #5 – Step #6a*.  
b) Insert a pin through the protector into each of the clips. See *Illustration #5 – Step #6b*.  
c) Insert a screw through an 'L'- bracket and into the clip. See *Illustration #5 – Step #6c & 6d*.  
d) Make sure all the components are well seated together; the protector is centered on the hood, and then tighten the screws into the clips.
7. **Repeat steps #5 and #6 for the other two (2) holes.**
8. Install two remaining bumpons as shown in *Illustration #3*. **Attention: The bumpons must be installed on the hood, not on the protector!!!** If the bumpons are installed on the protector, they will wear through the paint.
9. On some vehicles it may be necessary to adjust the hood bumpers and/or latch for proper clearance.  
**Note: Do not pull on the protector when opening or closing the hood.**

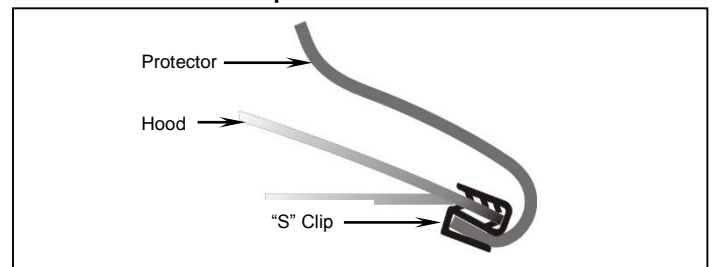
#### CARE INSTRUCTIONS

Clean the protector with a mild soap and water solution or plastic cleaner only. Do not use chemicals or solvents. Periodically check to make sure the bumpons are in place and the protector is secure. Avoid using automatic car washes. Do not pull on protector when opening or closing the hood.

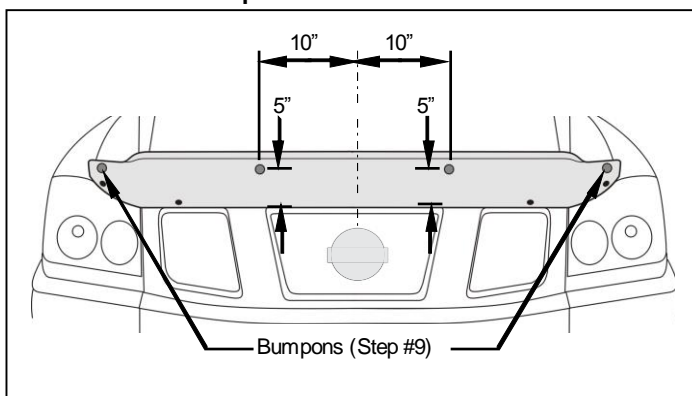
**Illustration #1 – "S" Clip Installation on Protector**



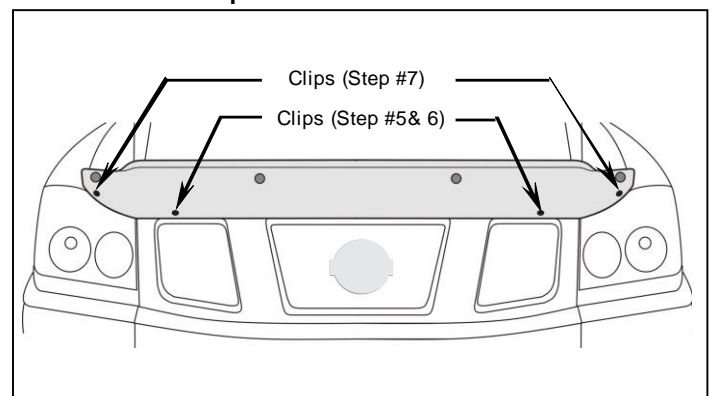
**Illustration #2 – "S" Clip Installation on Hood**



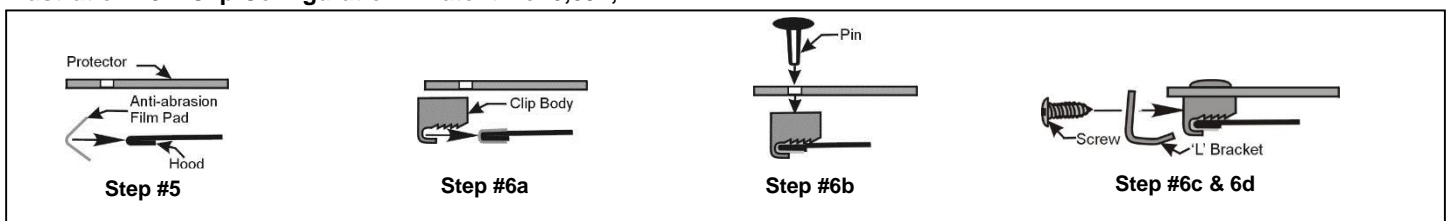
**Illustration #3 – Bumpon Placement**



**Illustration #4 – Clip Location**



**Illustration #5 – Clip Configuration – Patent No. 6,892,427**



Thank you for purchasing a hood protector.  
Retain sheet for Care Instructions and Kit Information.