

Installation Instructions

Nissan Juke 2011- up

HARDWARE KIT

- 2 . Large Bumpons
- 6 . 3M Anti-Abrasion Film Pads
- 6 . Clip Bodies
- 6 . L Brackets
- 6 . # 6 x 5/8+ Flat Head Screws
- 6 . Pins

TOOLS REQUIRED

- 1 . Phillips Screwdriver # 2
- 1 . Tape Measure



1. Be sure that the hood is clean and dry inside and out. Release the hood, but do not open it.
2. Locate the center of the hood at the leading edge using a tape measure and the Nissan badge in the grill as references.
3. Place the two bumpons as shown in *Illustration #1*. **Attention: The bumpons must be installed on the hood, not on the protector!!!** If the bumpons are installed on the protector, they will wear through the paint.
4. Peel and fold four (4) an anti-abrasion film pad in half over the hood edge, at the locations shown in the illustration #1.
5. Place the protector on the hood resting on the bumpons. Place clip bodies on the anti-abrasion film pads at the two (2) center locations. See *Illustration #1 and Illustration #2 – Step #5a*.
 - a) Align the corresponding holes in the protector with clip bodies.
 - b) Insert a pin through the protector into each of the clips. See *Illustration #2 – Step #5b*.
 - c) Insert a #6 x 5/8 screw through an L bracket and into the clip. See *Illustration #2 – Step #5c & #5d*.
 - d) Make sure all the components are well seated together; the protector is centered on the hood, and then tighten the screws into the clips.
- Note: Be sure the protector is well seated and centered on the hood, before tightening the screws into the clips.**
6. Repeat step #5 for the two (2) outer holes on the leading edge.
7. Peel and fold two (2) remaining an anti-abrasion film pad in half over the edge of the hood, directly under the remaining holes in the protector located beside each head light. Repeat step #5 for the clip bodies installation.
8. On some vehicles it may be necessary to adjust the hood bumpers and/or latch for proper clearance.

Note: Do not pull on the protector when opening or closing the hood.

CARE INSTRUCTIONS

Clean the protector with a mild soap and water solution or plastic cleaner only. Do not use chemicals or solvents. Periodically check to make sure the bumpons are in place and the protector is secure. Avoid using automatic car washes. Do not pull on protector when opening or closing the hood.

Illustration #1 – Bumpons and Anti-Abrasion Film Pads Placement

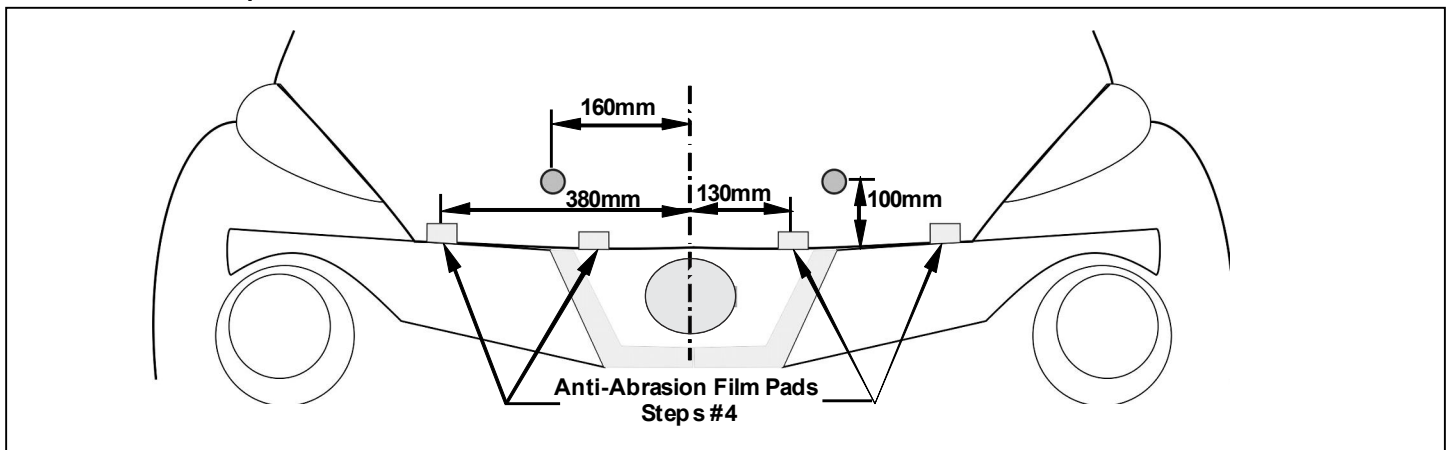
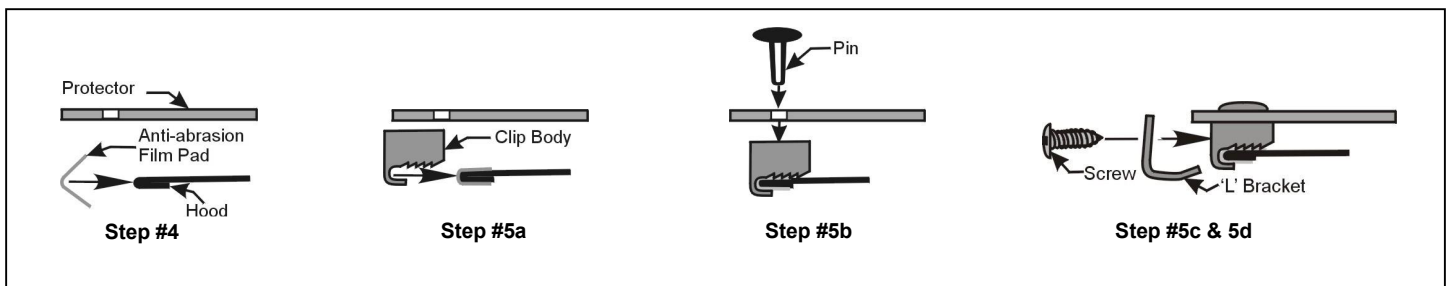


Illustration #2– Clip Configuration – Patent No. 6,892,427



Thank you for purchasing a **Parttera** hood protector.
Retain sheet for Care Instructions and Kit
Information.