

Hood Protector

HD 20A14

Installation Instructions

Toyota Corolla 2014 - Up

Kit Contents

Large adhesive pedestals (3)



Screws (7)



Small adhesive pedestals (4)



Pins (7)



Metal mounting brackets (3)



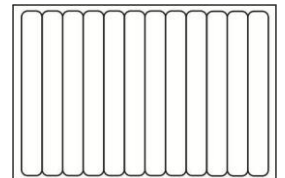
Bumpons (2)



Anti-abrasion pads (3)



Re-usable tape strips (1)



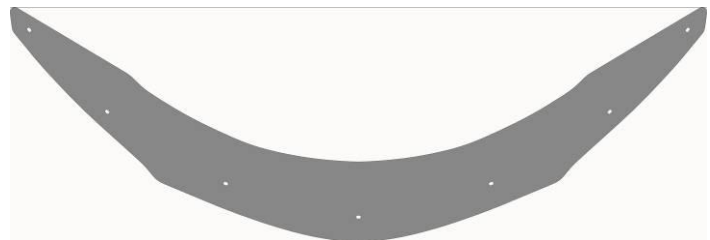
Automotive surface cleaner (1)



Disposable tape measure (1)

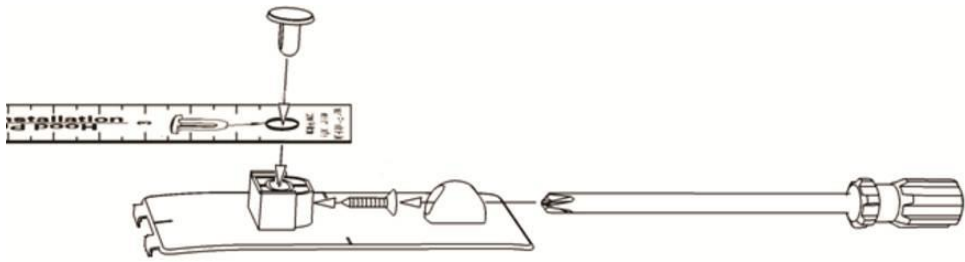


Hood protector blade (1)



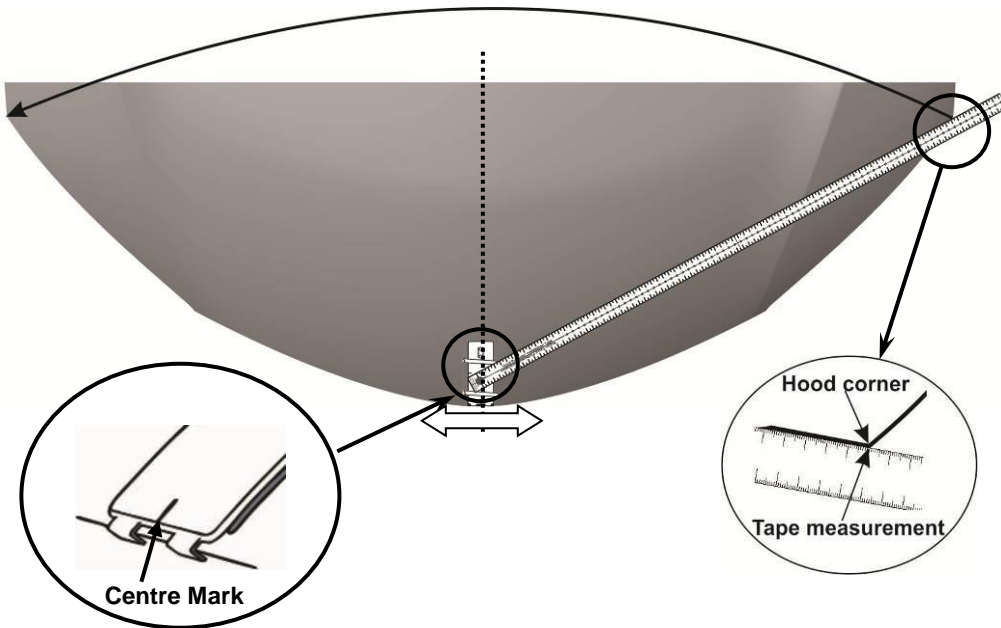
Tools and Supplies

- Phillips Screwdriver # 2
- Clean cloth or paper towel
- Masking tape



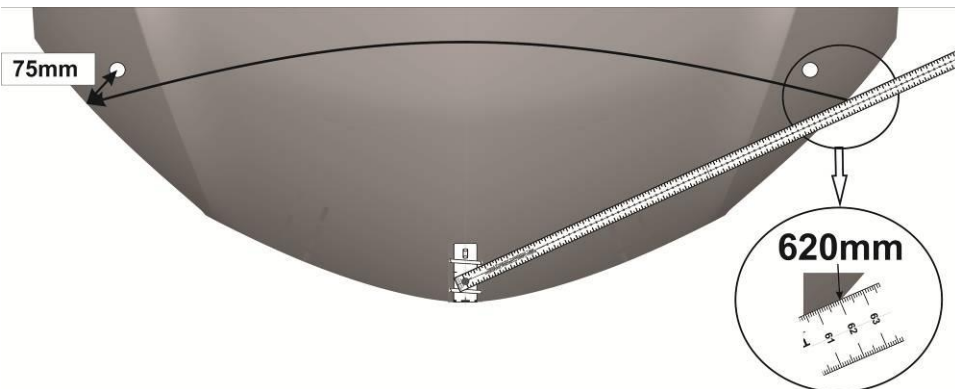
NOTE: To achieve maximum adhesion, pedestals must be installed from 15°C to 43°C (60°F to 110°F) and allowed to sit for at least 1 hour.

1. Be sure the hood is clean and dry inside and out.
2. Insert a pin through the hole in the disposable tape measure supplied and into a large adhesive pedestal.
3. Install a screw into the pedestal as shown.



4. Use the installation tape measure assembly to determine centre by measuring to opposite corners of the hood and adjust pedestal until both measurements are identical.

NOTE: When correctly positioned the fingers on the pedestal should contact the leading edge of hood.

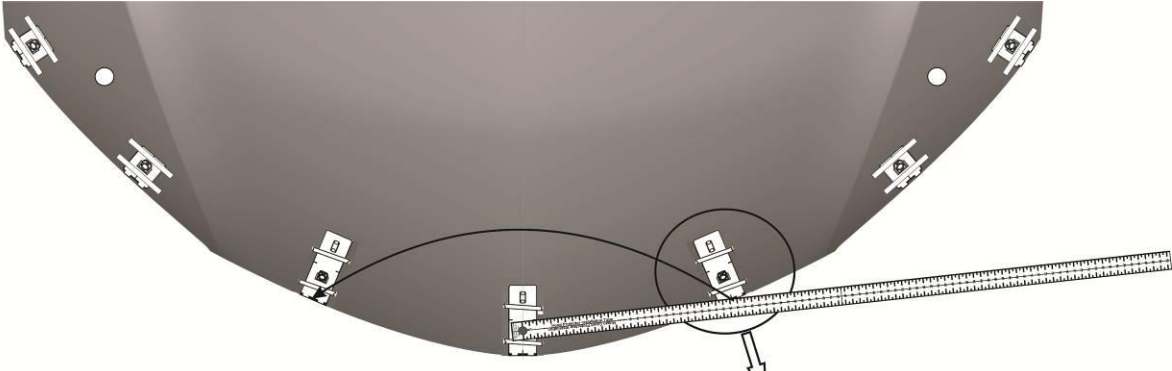
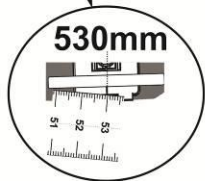
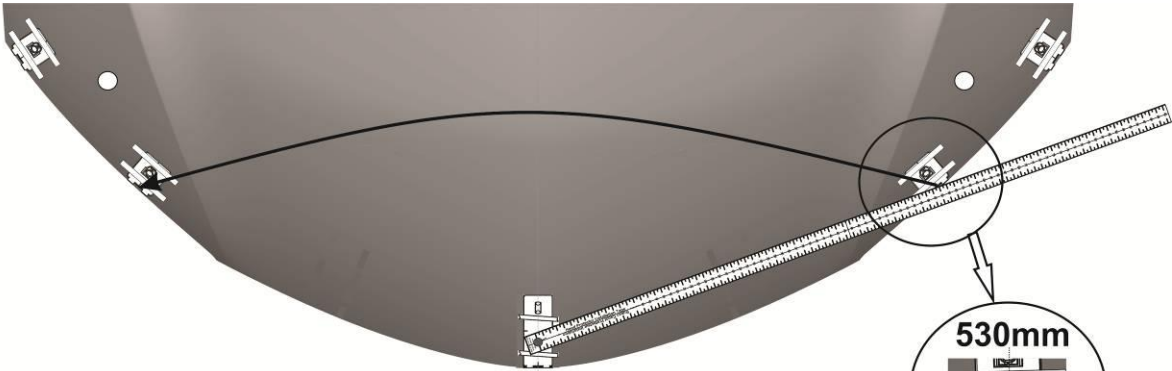


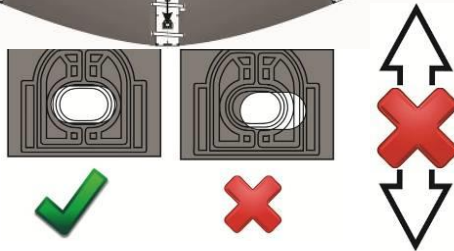
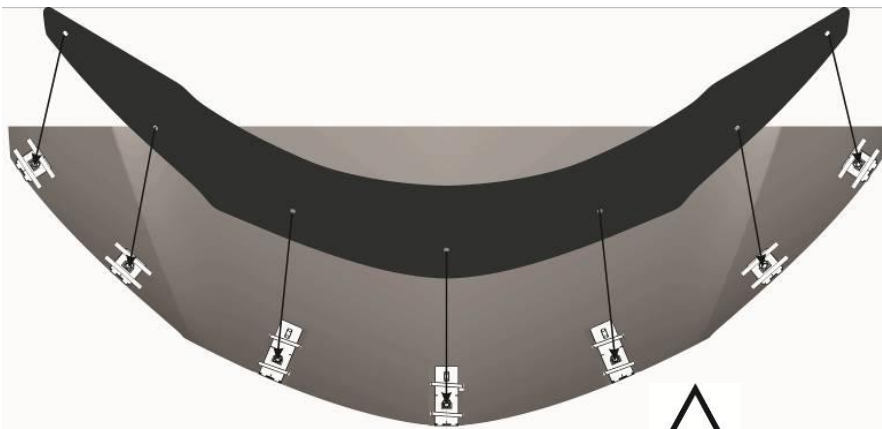
5. Install the two (2) bumpons as shown. **Attention: Bumpons must be installed on the hood, not on the deflector!!!** If the bumpons are installed on the deflector, they may wear through the paint.

Installation Procedure

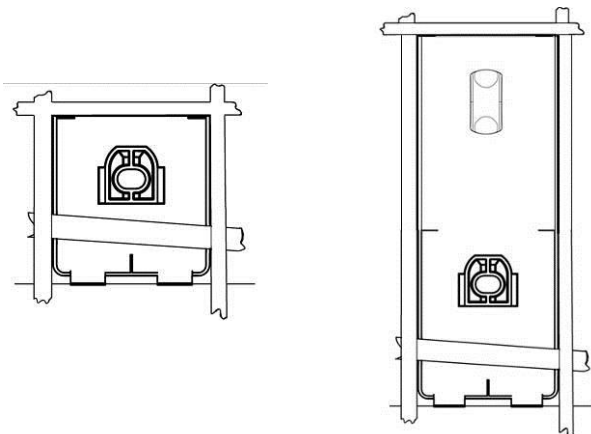
6. Use the center mark on the leading edge of the pedestals for accurate measuring.

Note: Measure to the centre mark on the pedestals, not to the hood edge.

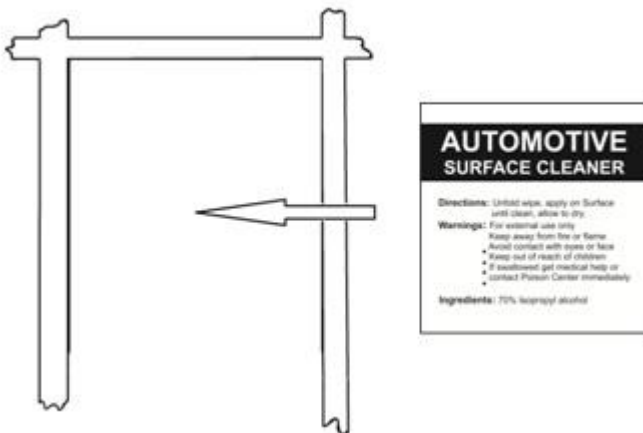




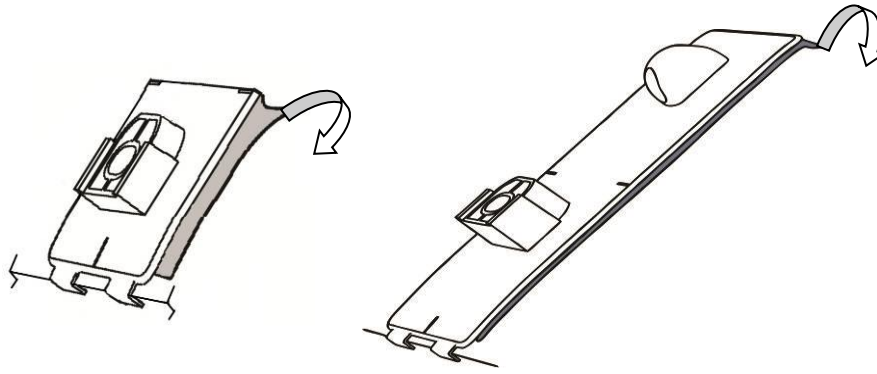
- Place the hood protector on the pedestals to confirm proper positioning, make any necessary adjustments.



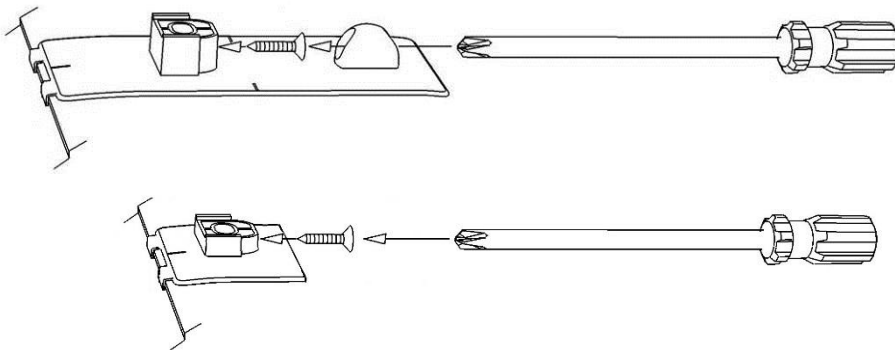
- Remove the hood protector, and outline the perimeter of the pedestals with masking tape or the repositionable tape strips.



- Remove the pedestals and thoroughly clean the outlined area with the alcohol wiping pad. Wipe dry with a clean cloth or paper towel.



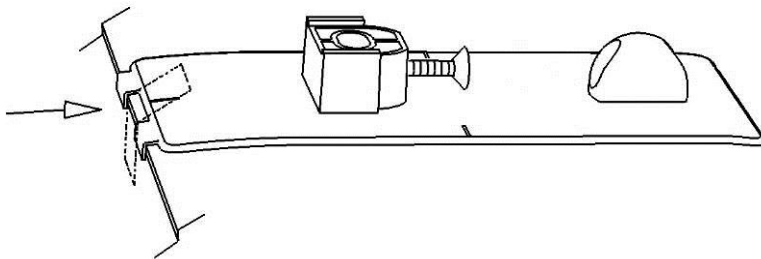
10. Remove the protective backing from the adhesive on the pedestals
 - Hook the fingers on the pedestal over the hood edge and rotate the unit into position.
 - Remove the masking tape and “wet out” the tape to the hood surface by applying pressure with your thumb around the surface of the pedestals.



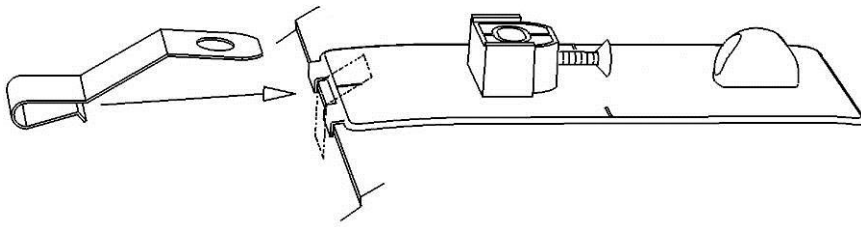
11. Start a screw into each pedestal a few turns.



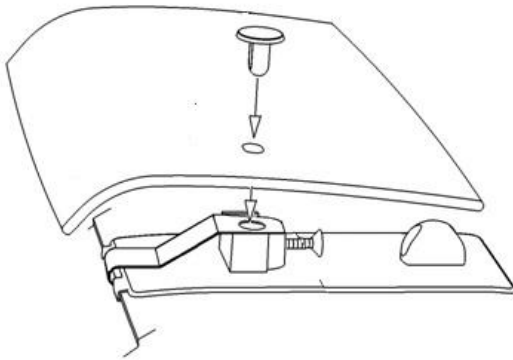
NOTE: The tip of the screw must not protrude into the hole where the attachment pin will install later.



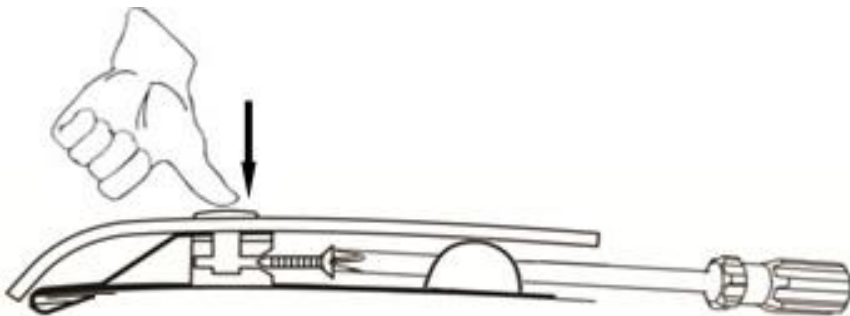
12. For the large adhesive pedestals above the grill, peel and fold an anti-abrasion film pad in half over the hood edge between the fingers on each pedestal.



13. For the large adhesive pedestals over the grill, push a metal mounting bracket over the hood edge and ensure the bracket is fully engaged



14. At the three (3) large pedestal locations drop a pin through the protector and into the pedestal

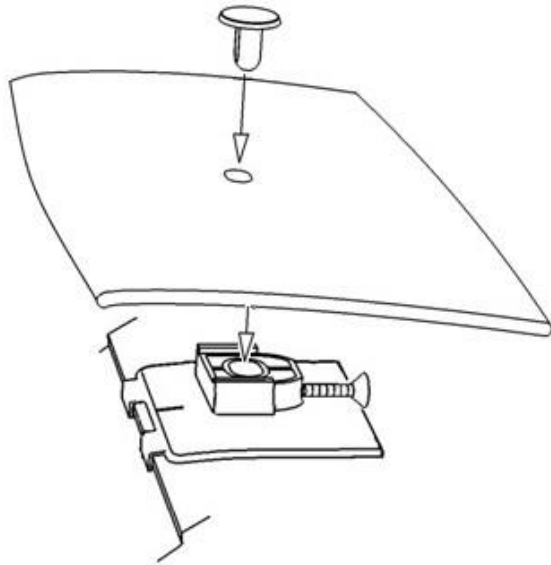


15. To ensure proper seating of the components, maintain slight pressure on the pin while simultaneously tightening the screw.

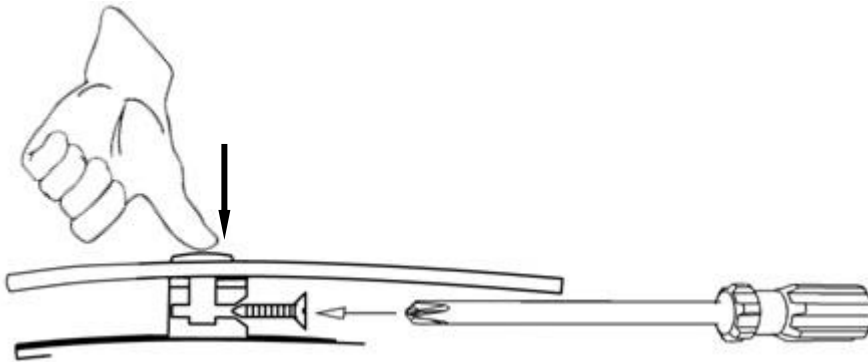


CAUTION: Be sure to take care not to scratch or damage the hood surface while tightening the screw.

NOTE: Proper installation of the adhesive pedestal system requires the use of a #2 Phillips screwdriver, preferably with a long shaft. Use of the correct screw driver will facilitate a trouble free installation. Do not attempt to use #1 or smaller Phillips screwdriver or any type of electric screwdriver. **See illustration.**



16. At the four (4) small pedestals, drop a pin through the protector and into the pedestal.



16. To ensure proper seating of the components, maintain slight pressure on the pin while simultaneously tightening the screw.

CARE INSTRUCTIONS

Clean the protector with a mild soap and water solution or plastic cleaner only. Do not use chemicals or solvents. **Periodically check to make sure the bumpons are in place and the protector is secure. Avoid using automatic car washes.** Do not pull on the protector when opening or closing the hood.