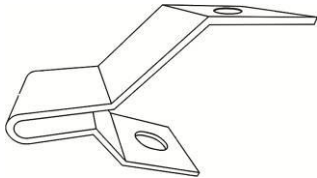


Hood Protector Installation Instructions

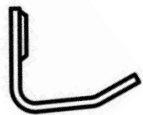
HD 20Q14
Toyota Highlander 2014 - Up

Kit Contents



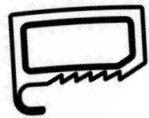
Metal mounting bracket (3)

Screws (6)



“L” bracket (6)

Pins (6)



Clip bodies (6)

Anti-abrasion pads (9)



Push-type retainer (6)

Large bumpon (3)



Hood protector blade (1)

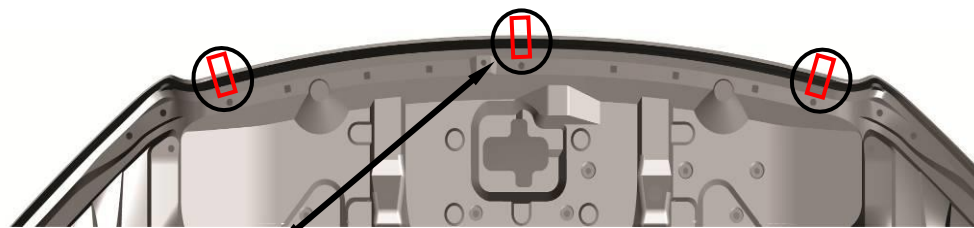
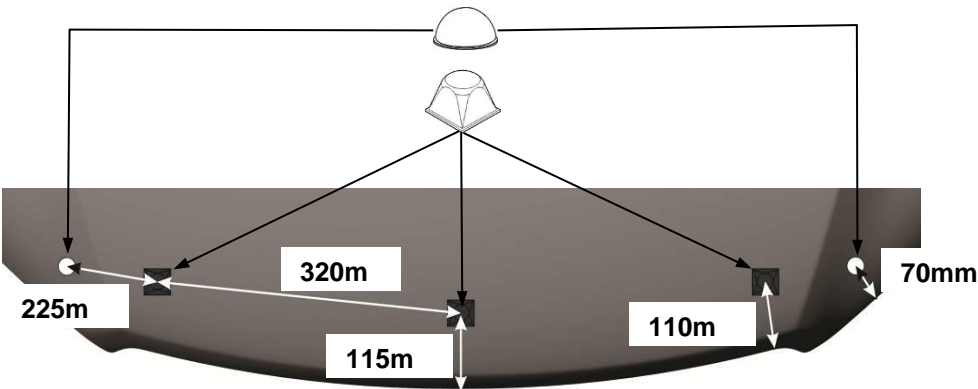
Small bumpon (2)



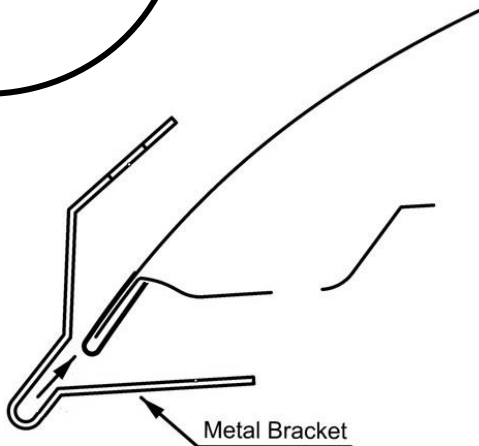
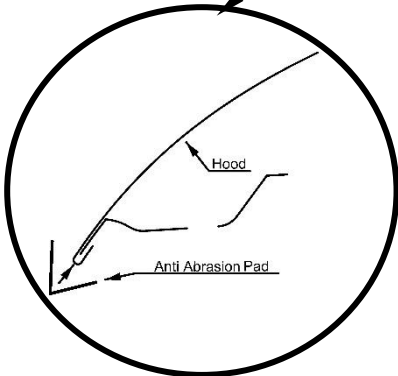
Installation Procedure

NOTE: Vehicle surface temperature should be a minimum 15 degrees Celsius.

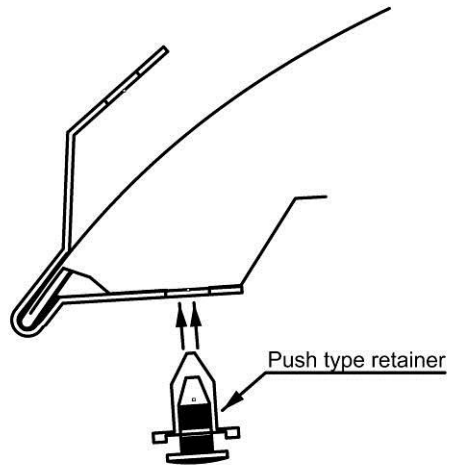
1. Be sure that the hood is clean and dry inside and out.
2. Install the five (5) bumpons as shown. **Attention: Bumpons must be installed on the hood, not on the deflector!!!**



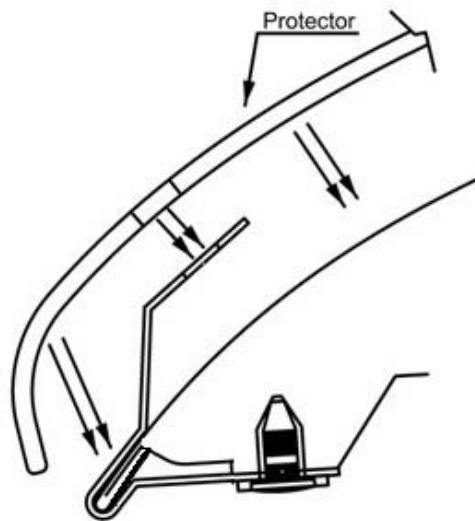
3. Open the hood of the vehicle. Peel and fold an anti-abrasion pad in half over the edge of the hood, in the locations shown.



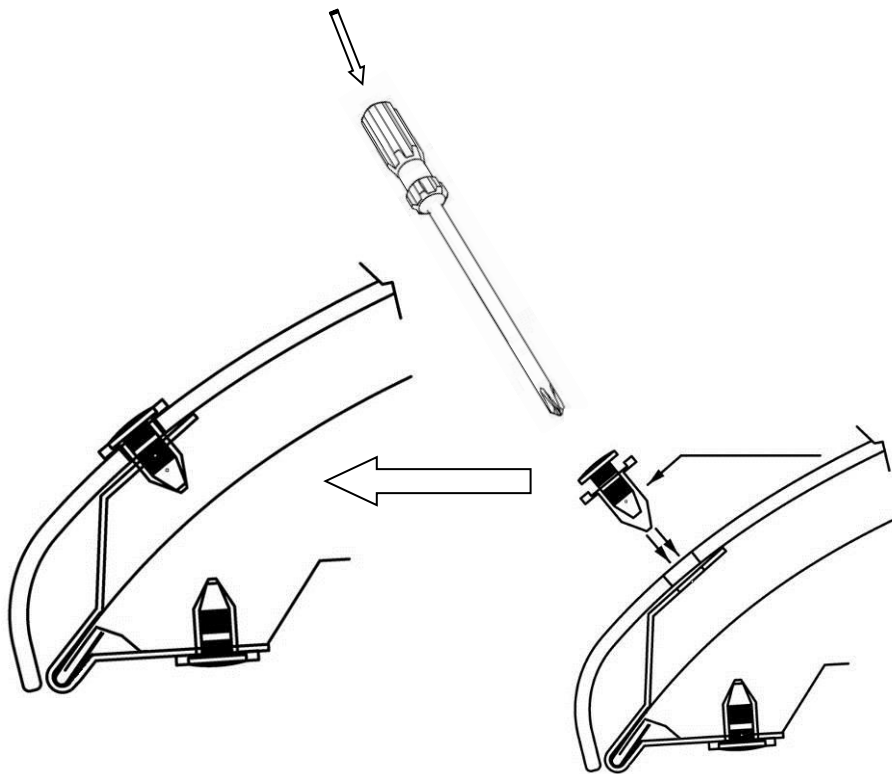
4. Install metal brackets over the hood edge in their correct positions. Align the hole in the bottom leg of the bracket with the round hole in the hood. *See Illustration.*



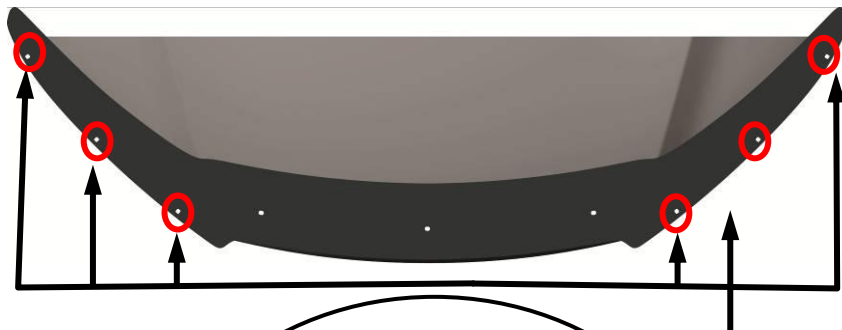
5. Insert a push-type retainer through the metal bracket and into the round hole in the hood. Push the center pin of the retainer assembly to lock it into place. See *Illustration*.



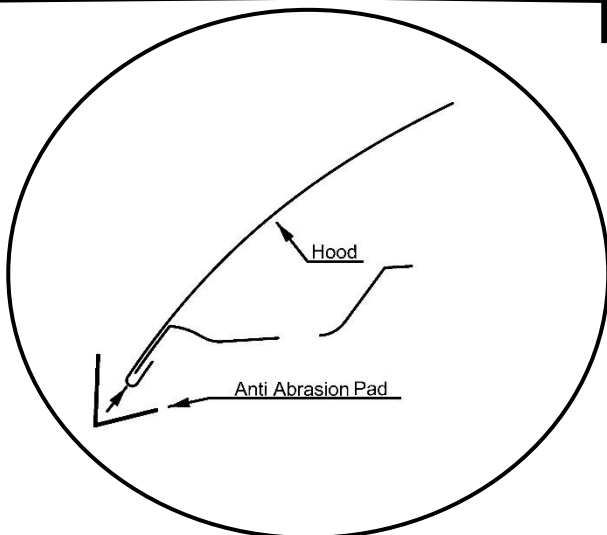
6. Place the protector onto the metal brackets.

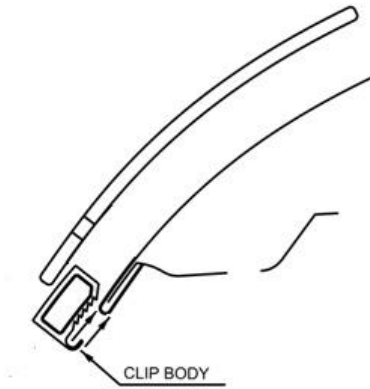


7. Align the 3 centre holes in the protector with the three (3) metal brackets
 - Insert a “push-type retainer” through the hole in the protector, and into the bracket.
 - Push the center pin of the retainer assembly to lock it into place.

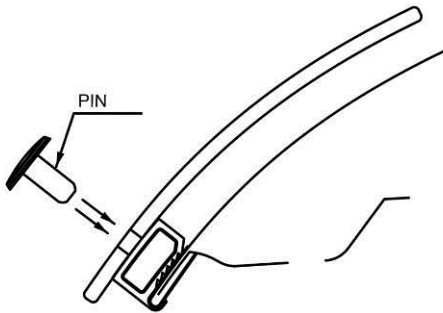


8. Peel and fold an anti-abrasion pad in half over the edge of the hood in alignment with the holes in the protector at the six locations over the headlights.

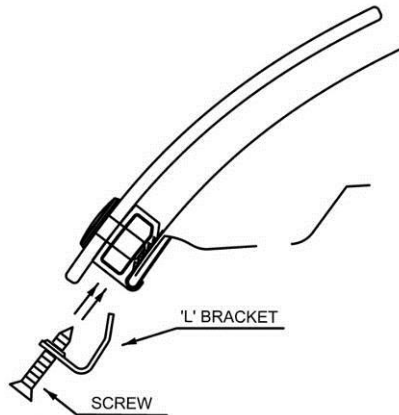




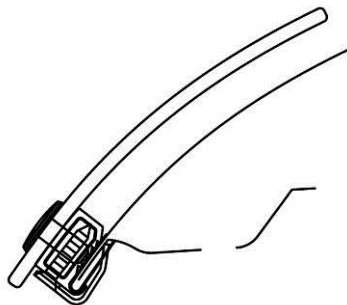
9. Place a clip body over each of the anti-abrasion pads on the edge of the hood.



10. Insert a pin through the protector into each of the clips.



11. Insert a screw through an 'L' - bracket and into each clip.



12. Make sure all the components are well seated together; the protector is centered on the hood, and then tighten the screws into the clips.

CARE INSTRUCTIONS

Clean the protector with a mild soap and water solution or plastic cleaner only. Do not use chemicals or solvents. Periodically check to make sure the bumpons are in place and the protector is secure. Do not pull on the protector when opening or closing the hood.