

## Installation Instructions

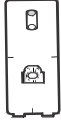
## Kia Soul 2014 - Up

### PARTS LIST

Hood Deflector



Large Pedestals (2)



Clip Bodies (4)



Pins (6)



# 6 x 5/8" Flat Head Screws (6)



Anti-abrasion Film Pads Large (4)



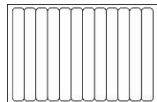
Metal "L" Brackets (4)



Alcohol Wipes (1)



Tape strip sheet (repositionable) (1)



### TOOLS AND SUPPLIES REQUIRED

- Long Shank Phillips Screwdriver #2
- Tape Measure
- Grease Pencil
- Clean cloth or paper towel

### INSTALLATION

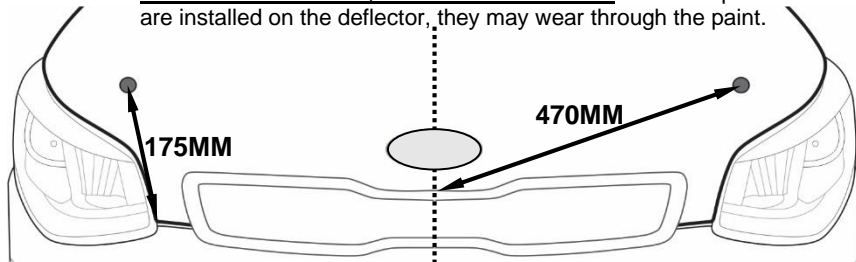
- Make sure the vehicle is clean and completely dry before installation.
- This product uses a 3M adhesive product that requires installation and curing temperatures of at least 20°C/ 70°F for 24 hours to develop maximum adhesion to the surface. Failure to install this product at the proper temperature or allow adequate curing time before use is not covered under warranty.

- Proper installation of the adhesive pedestal system requires the use of a #2 Phillips screwdriver, preferably with a long shaft. The shaft of the screwdriver needs to fit through the hole in the pedestal. Use of the correct screw driver will facilitate a trouble free installation. Do not attempt to use #1 or smaller Phillips screwdriver or any type of electric screwdriver.

- Using the tape measure and grease pencil find and mark the center line of the hood, where the hood and molding meet with the hood surface.

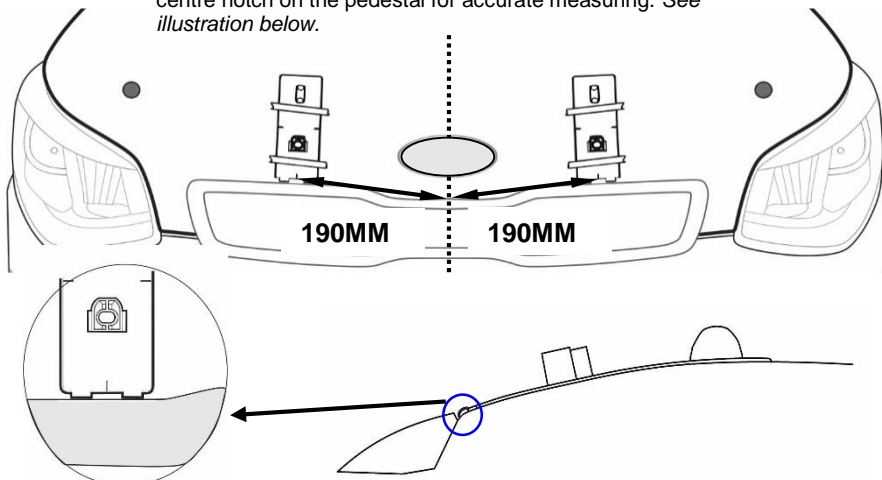
**Tip:** Measure the width of the molding attached to the hood from its widest points. Divide the measurements by two and mark the **center point**. Reconfirm your mark by measuring from each end of the molding to the center mark; both measurements must be the same.

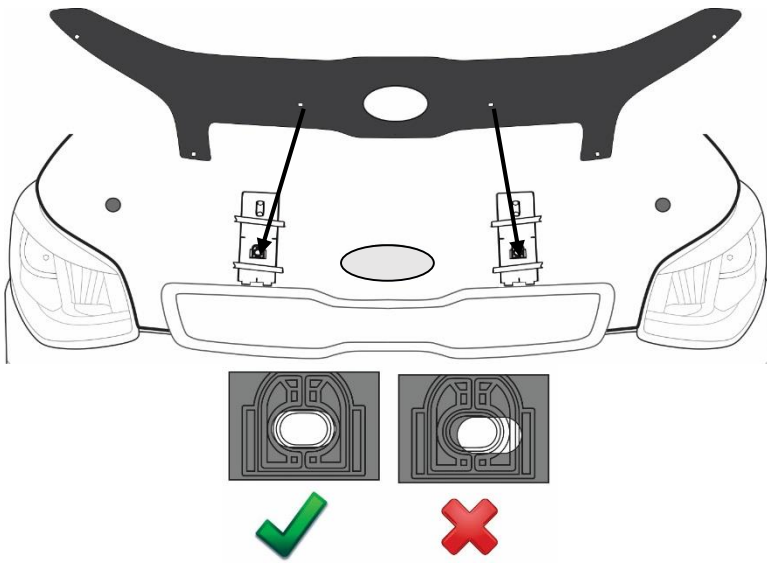
- Install the bumpons as shown. **Attention: Bumpons must be installed on the hood, not on the deflector!!!** If the bumpons are installed on the deflector, they may wear through the paint.



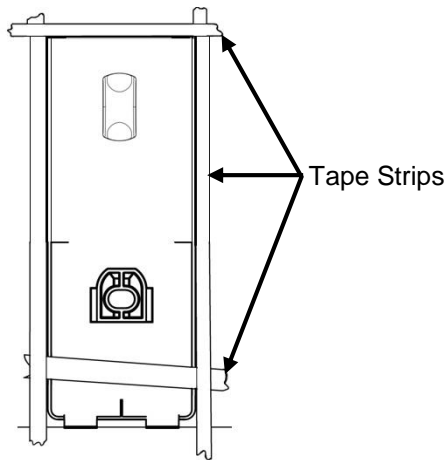
- Mark the position of the 2 pedestals relative to the center mark position. Temporarily install the pedestals with the tape strips provided.

**Note:** It is important that the position of the pedestals relative to the molding attached to the hood edge is accurate. The fingers on the pedestals sit against the trailing edge of the molding. Use the centre notch on the pedestal for accurate measuring. See illustration below.

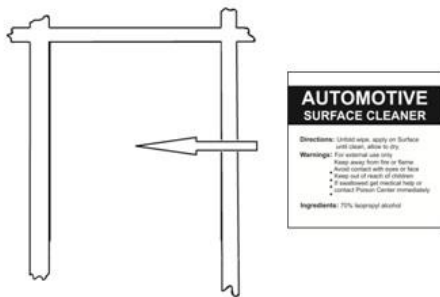




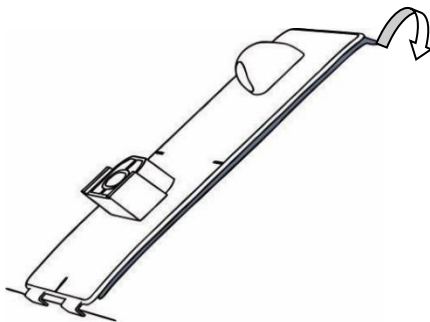
- Place the hood deflector on the pedestals to confirm proper positioning. Ensure the holes in the deflector line up with the holes in the pedestals. If necessary, reposition the pedestals so all attachment positions are correct and the deflector is well centered.



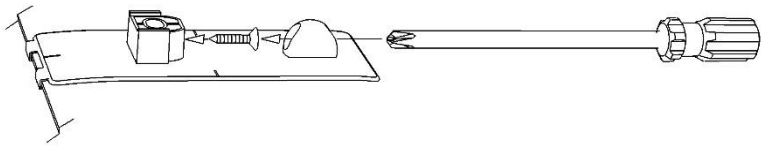
- Remove the hood deflector, and outline the perimeter of the pedestals with masking tape or the repositionable tape strips supplied to help final installation.



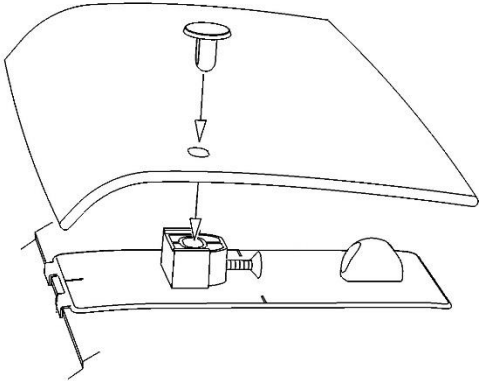
- Remove the pedestals and thoroughly clean the outlined area with the alcohol wiping pad and dry with cloth or paper towel. This will insure all wax, finger prints and oils are removed from the hood surface in the bonding area.



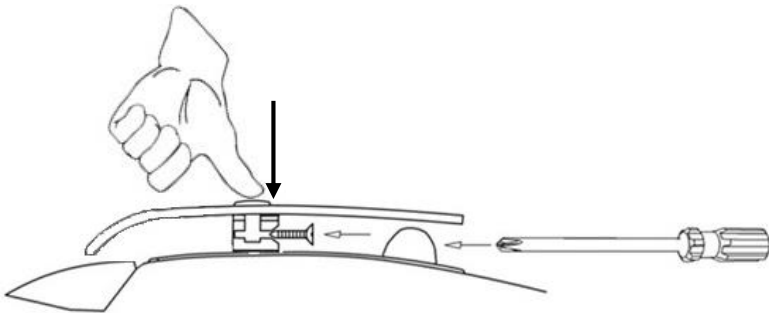
- Remove the protective backing from the adhesive on the pedestals and install on the hood surface.
- Tip:** Place the fingers on the pedestal over the crease in the hood and against the trailing edge of the grill and rotate the unit into position. After installation, remove the tape strips and "wet out" the adhesion on the pedestal to the hood surface by applying pressure with your thumb around the surface of the pedestals.



8. Start a #6 x 5/8 flat head screw into each pedestal a few turns. The tip of the screw must not protrude into the hole where the attachment pin will install later.



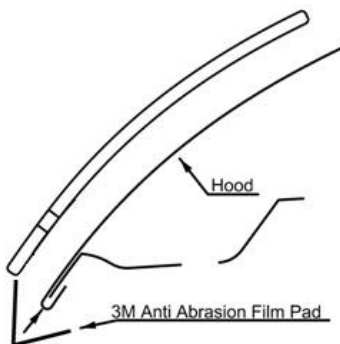
9. Place the deflector on the pedestals and drop a pin through the deflector and into the pedestal.



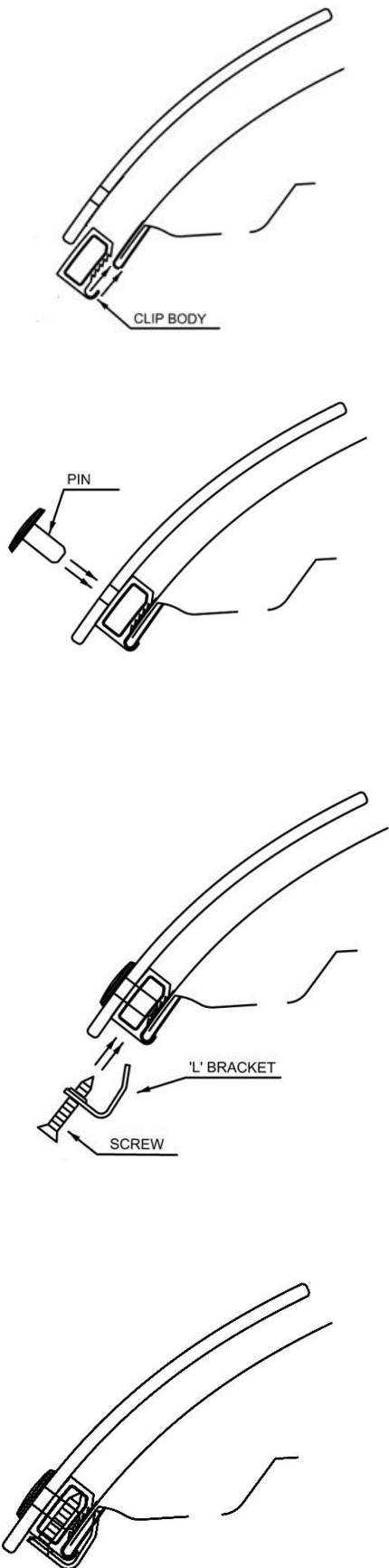
10. Maintain slight pressure on the pin, to ensure proper seating of the components, while simultaneously tightening the screw on all of the adhesive pedestals.



**NOTE: Only tighten screw a few turns so that the pin is held in but there is some movement of the deflector. This helps with the installation of the components above the headlights.**



11. Peel and fold an anti-abrasion film pad in half over the hood edge aligned with one of the two holes in the deflector beside one of the headlights.



12. Place a clip body over the anti-abrasion film pad on the edge of the hood.
13. Insert a pin through the protector into the clip body.
14. Insert a #6 x 5/8" screw through an 'L'- bracket and into the clip body.
15. Make sure all the components are well seated together; the protector is centered on the hood, and then tighten the screw into the clip body. Repeat steps #11-15 for mounting hole beside the other headlight
16. Tighten the screws in the adhesive pedestals that were left loose in step #10
17. Repeat steps #11-15 for the other two locations above the headlights.

#### **CARE**

Hand clean the deflector using a mild soap and water solution or plastic cleaner only. Avoid automatic car-wash equipment where a brush and/or soft cloth come in contact with the hood deflector. Touch-less style automatic car-wash equipment is less likely to harm the air deflector.

#### **Service**

Periodically check to confirm the deflector is securely attached to the hood.

#### **WARNINGS**

Do not pull/push on the deflector when opening/ closing the hood.