

Installation Instructions

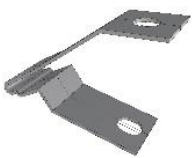
Scion iM 2016 - Up

Kit Contents



Metal mounting bracket- Type A with hole (2)

Screws (2)



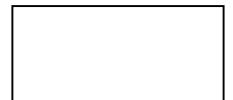
Metal mounting bracket- Type B (2)

Pins (2)



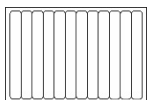
Adhesive pedestals (2)

Anti-abrasion pads (4)



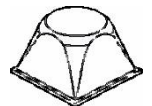
Push-type retainer (8)

Small Bumpons (2)



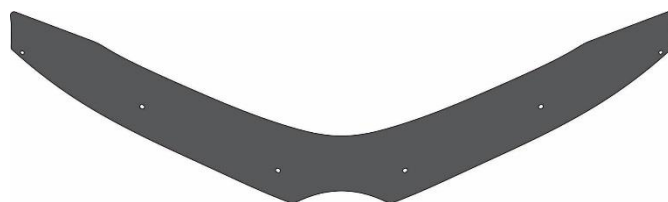
Re-usable tape strips (1)

Large Bumpons (3)



Surface cleaner (1)

Hood protector (1)



Installation Procedure

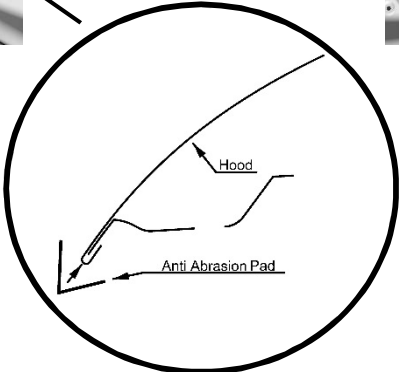
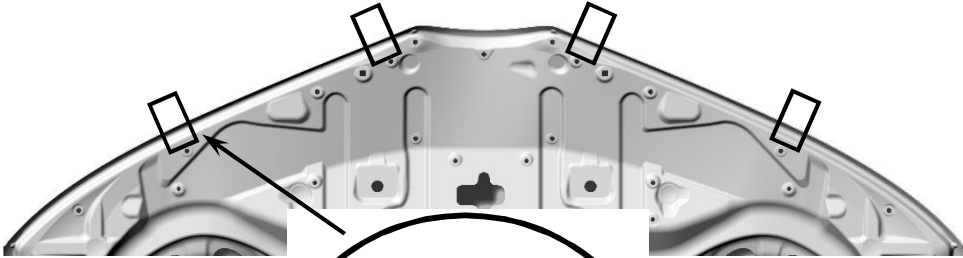
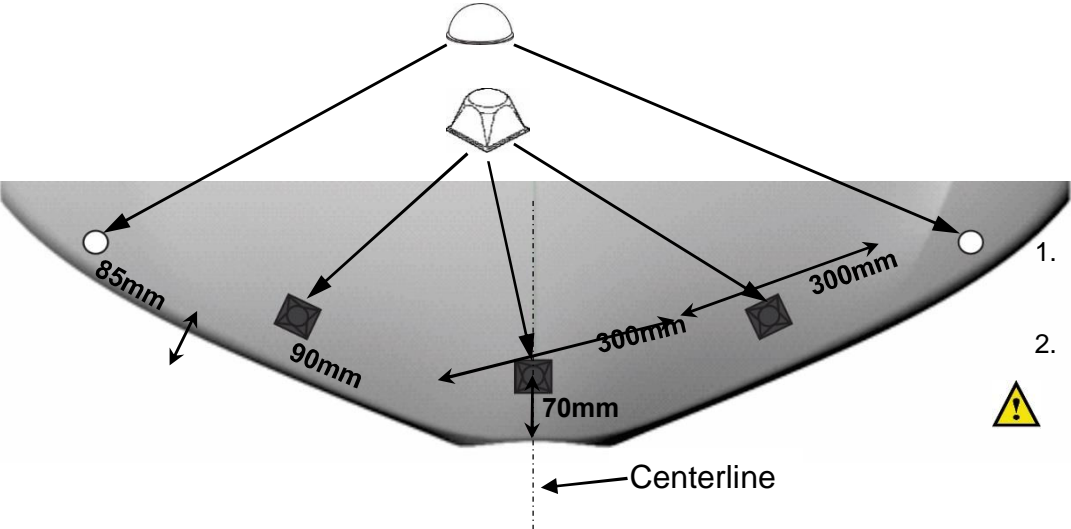
NOTE: Vehicle surface temperature should be a minimum 15 degrees Celsius.

1. Be sure that the hood is clean and dry inside and out.

2. Install the five (5) bumpons as shown. **Attention: Bumpons must be installed on the hood, not on the protector!!!**

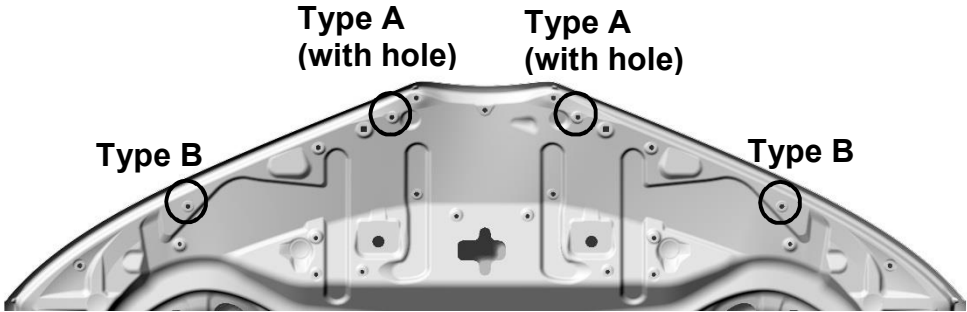


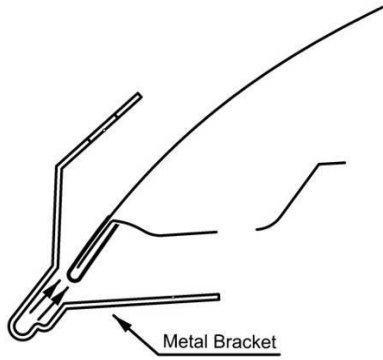
3. Open the hood of the vehicle. Peel and fold the anti-abrasion pads in half over the edge of the hood, in line with the 4(four) holes under the hood, as shown. See illustration.



Metal Bracket Guide

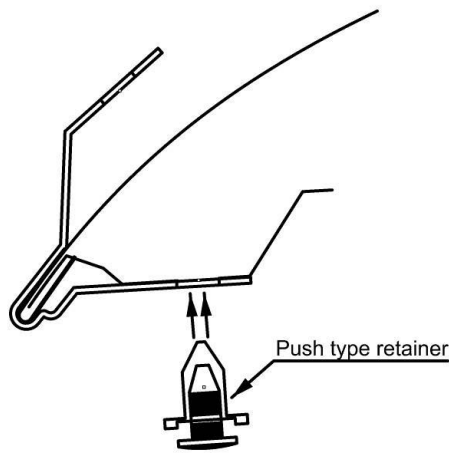
NOTE: Use the Metal Bracket Guide to determine which brackets go in the proper locations.



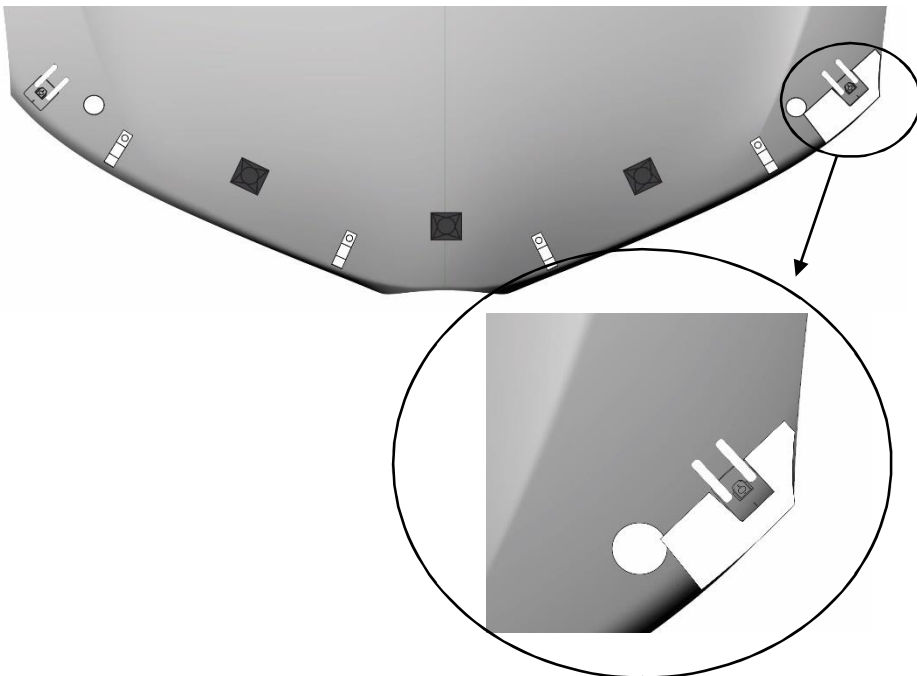


4. Install the four metal brackets on the hood edge over the anti-abrasion pads. Align the hole in the bottom leg of the bracket with the round hole in the hood. See *Illustration*.

5. Insert a push-type retainer through the metal bracket and into the hood. Ensure leg of the bracket is well seated against the surface of the hood and push the center pin of the retainer assembly to lock it into place. See *Illustration*.

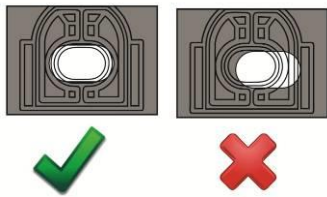
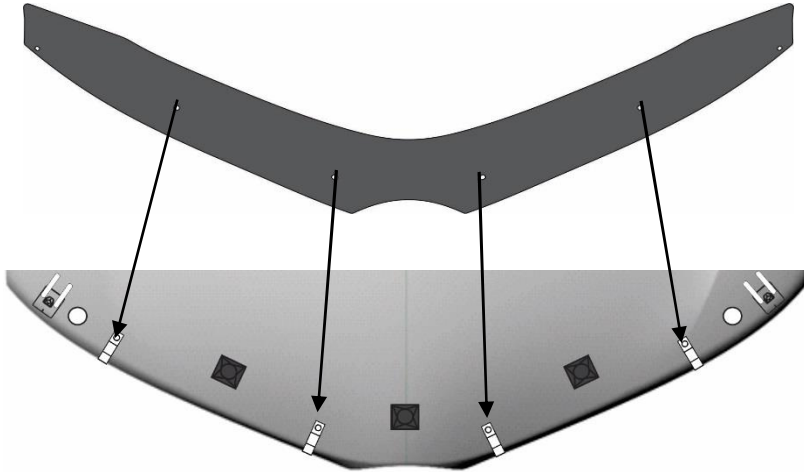


NOTE: Engaging the center pin of the push-type retainer is best accomplished by placing a #2 Philips drive screwdriver into the recess of the center pin and pushing the **pin followed by tightening 90 degrees to fully engage the retainer into the hood**. The retainer can be removed by unthreading the center pin with a Philips screwdriver, however initial installation is best done using the push-method described above.

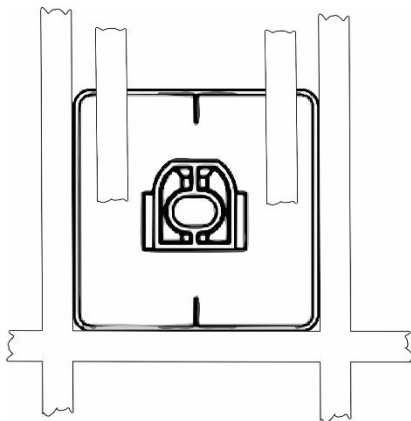


6. Test fit the adhesive pedestals using the supplied tape strips or masking tape to temporarily hold them in position.

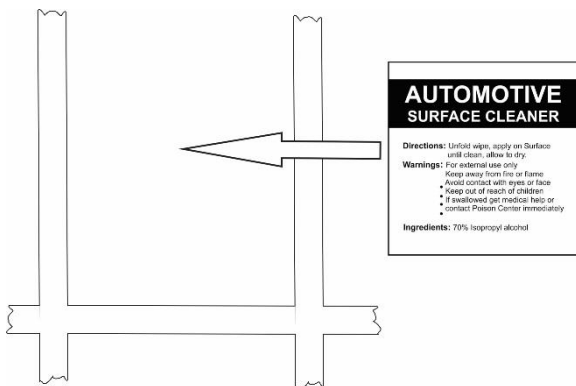
***The locations of the pedestals are determined by using the paper template supplied. Follow the instructions on the template for correct positioning of the pedestals. The template can be found on the last page of these instructions.



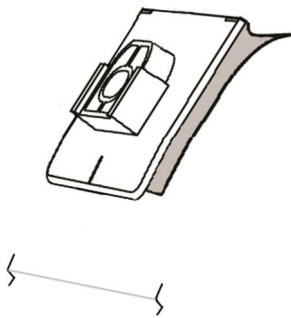
- Place the protector temporarily onto the metal brackets, aligning the holes in the protector with the holes in the metal brackets. This step will allow you to check the position of the adhesive pedestals and adjust if necessary.



- Remove the hood protector. Outline the perimeter of the adhesive pedestals with the tape strips or masking tape.

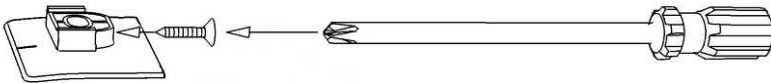


- Remove the pedestals and thoroughly clean the outlined area with the automotive surface cleaner, followed by drying with a paper towel or clean cloth. This will ensure maximum adhesive bond by removing all surface contaminants.



10. Remove the red protective backing from the pedestals using caution to avoid contaminating adhesive surface.

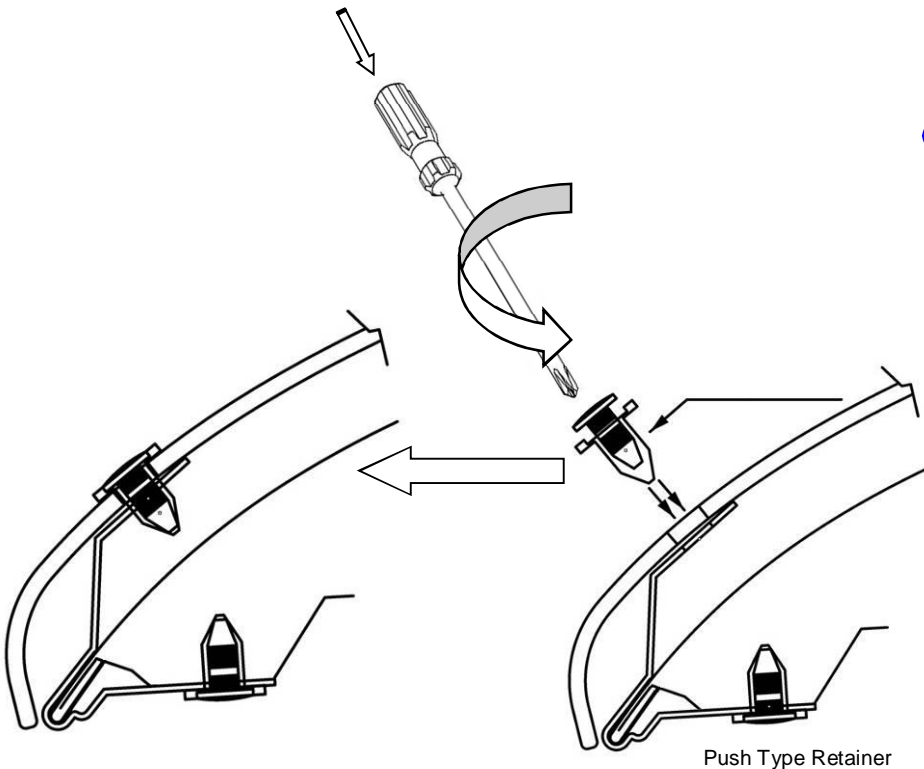
- Use tape outlines to correctly position the adhesive pedestals on the hood.
- Remove the tape and wet out the adhesive to the hood surface by applying pressure with your thumb around the surface of the pedestals. This will ensure maximum adhesive bond.



11. Start a screw into each pedestal a few turns. *See illustration.*



NOTE: The tip of the screw must not protrude into the hole where the attachment pin will install later.

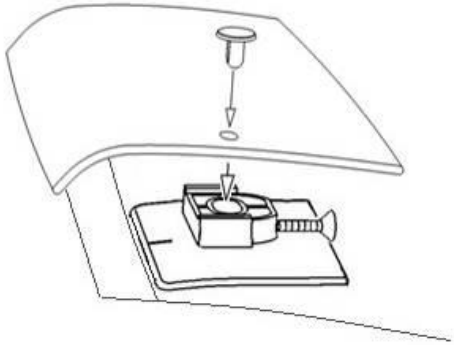


12. Place the protector on the hardware mounted to the hood and align the four (4) holes in the protector with the holes in the metal brackets.





- Insert a push-type retainer through the hole in the protector, and into the bracket.
- Ensure the protector is seated against the metal bracket, push the center pin of the retainer followed by tightening 90 degrees to fully engage the retainer into the metal bracket. Repeat for the remaining metal bracket locations.

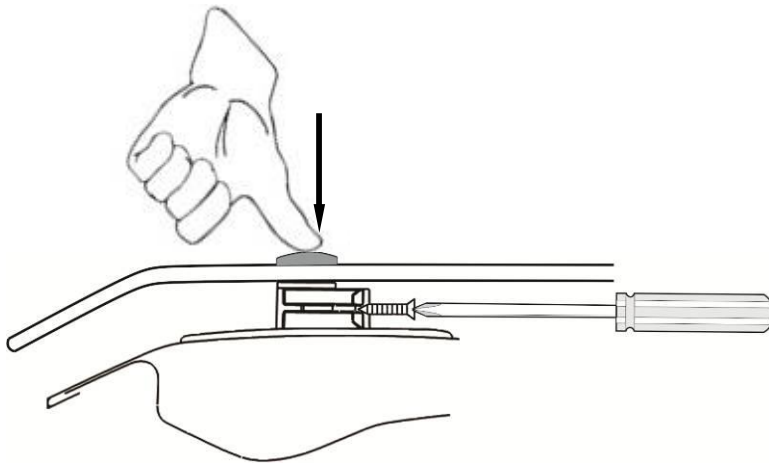




13. Insert a pin through the protector and into each of the two (2) pedestals. Maintain pressure on the head of the pin to ensure the protector is seated against the pedestal and tighten the screw until snug. Do not over-tighten!

 **CAUTION:** Use caution not to damage the hood surface while tightening the screws.

 **NOTE:** Proper installation of the adhesive pedestal system requires the use of a #2 Phillips screwdriver, (long shaft). **See illustration.**



14. On some vehicles it may be necessary to adjust the hood bumpers and/or latch for proper clearance.

Note: *Do not pull on the protector when opening or closing the hood.*

CARE INSTRUCTIONS

Clean the protector with a mild soap and water solution or plastic cleaner only. Do not use chemicals or solvents. Periodically check to make sure the bumpers are in place and the protector is secure. Do not pull on the protector when opening or closing the hood.

Scion iM 16- up

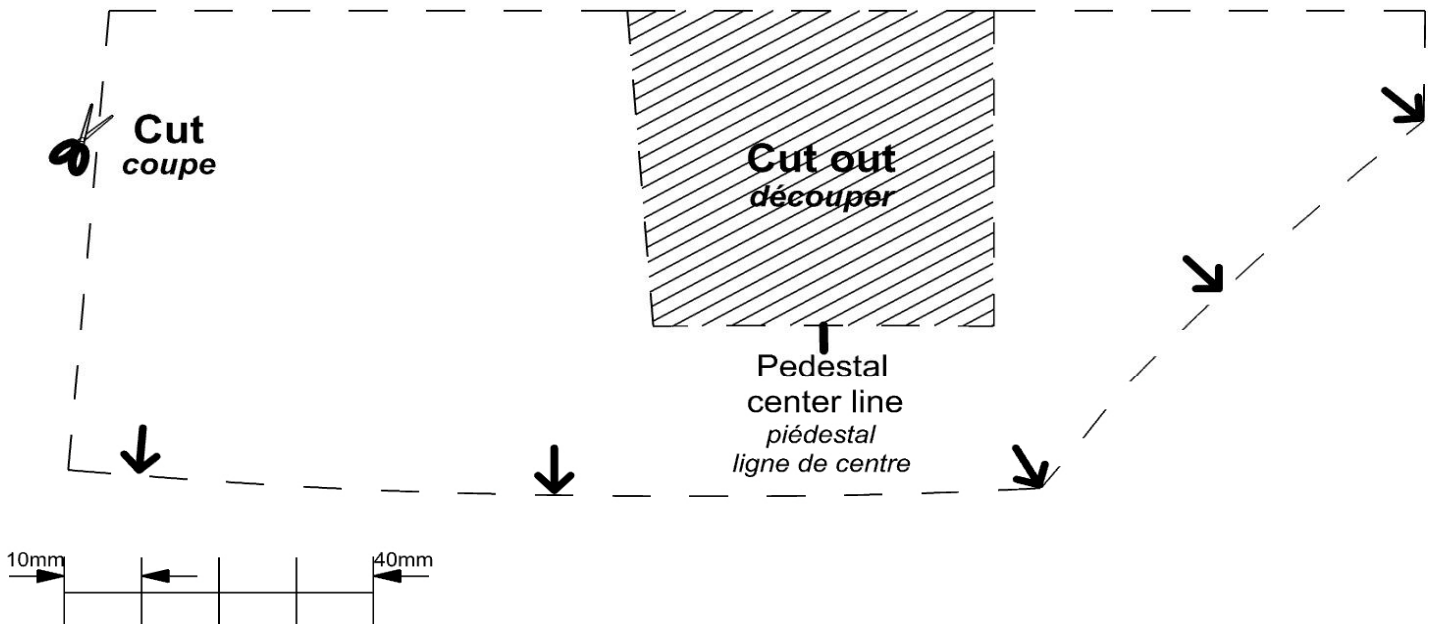
Pedestal Placement Template Piédestal Modèle Placement

Template Instructions

1. Carefully cut along the dashed line
2. Align the arrows with the hood edge
3. Secure template using tape strips
4. Place the pedestal using the center line
5. Carefully remove template
6. Flip template over and repeat steps 2-5 on the other side of the hood

Instructions modèle

1. Découpez soigneusement le long de la ligne pointillée
2. Aligner les flèches avec le bord de la hotte
3. modèle utilisant sécurisés bandes de ruban
4. Placez le piédestal en utilisant la ligne de centre
5. Retirez délicatement modèle
6. Retourner gabarit sur et répétez les étapes 2-5 de l'autre côté de la hotte



Set printer scale to 100% and confirm

Échelle de configuration de l'imprimante à 100 % et confirmation